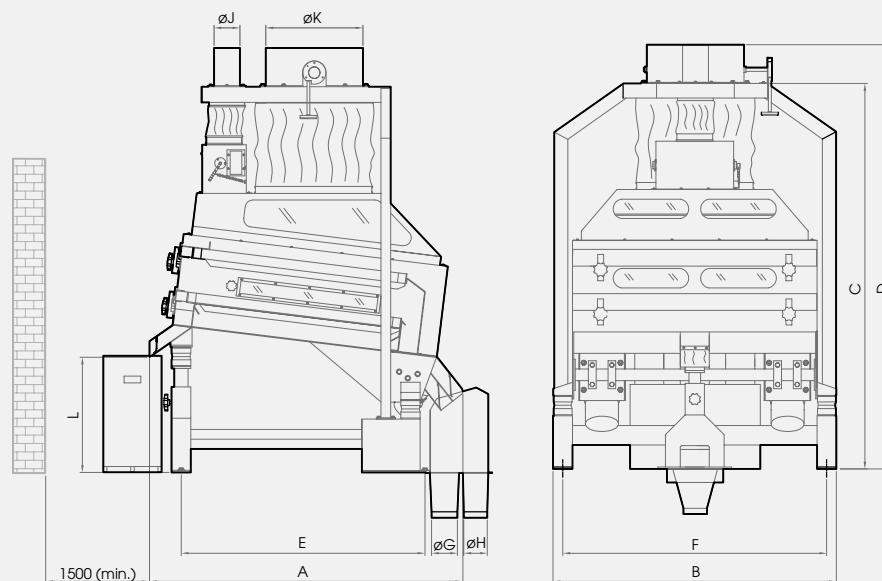


# DESTONER CLASSIFIER **TKTD**



## Dimensions [mm]

Model	A	B	C	D	E	F	G	øH	øJ	øK	L
TKTD 80		1050				960	120		120	400	
TKTD 120	1610	1450	2000	2200	1257	1356	150	120	150	500	500
TKTD 180		2000				1900	200	150	200	600	

## Technical Features

Model	Capacity (t/h) Wheat	Motor (Kw)	Air Volume (m <sup>3</sup> /min)	Weights (kg)		Gross Volume (m <sup>3</sup> )
				Net	Gross	
TKTD 80	8	2 x 0,35	80	570	633	5,9
TKTD 120	16	2 x 0,68	120	650	732	7,7
TKTD 180	20	2 x 1,1	230	790	899	10,3